

ENGINEER TO ORDER

SPECIAL PROJECT INFORMATION SHEET



Project Description	PTM-72-2000 with Aluminium tube reaction & bolt retention		
Date created	December 2018	Project Number	Q4411

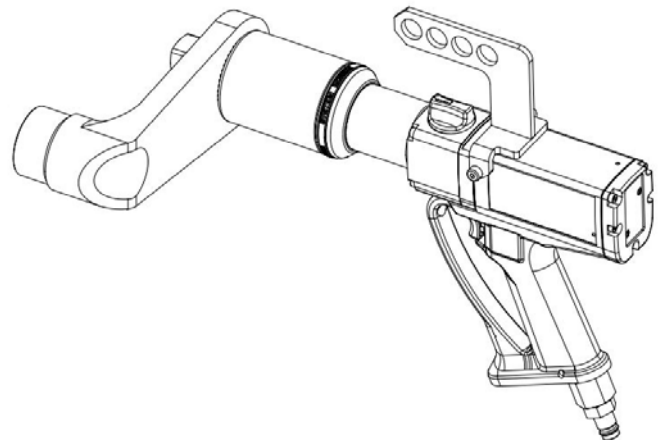
INTRODUCTION & APPLICATION

Train bogie M20 & M24 hexagon nuts torque tighten in sequence (untighten 2,000 N.m max.). Bolt heads may be hexagon or socket cap head screw types, and anti-rotate / arrest tools are required.

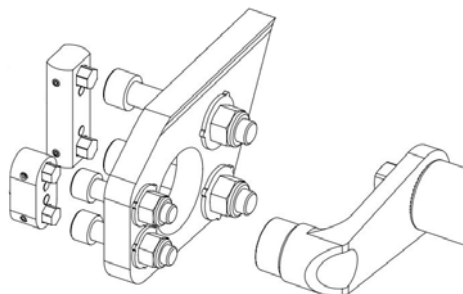


SOLUTION

PneuTorque PTM-72-2000 with special aluminium tube reaction, (to meet target tool weight). Bolt arrest tools for each bolt size / type, and incorporating retention magnets.



Reaction used diagonally



Bolt arrest tools with retaining magnets

TECHNICAL SPECIFICATION / DATA HIGHLIGHTS

Combined tool, reaction & socket weight <8 Kg. Aluminium reaction weight 0.71 Kg.